

ASI1212D/ASI1212D-D

Fingerprint Standalone



Features

- Touch keyboard and LCD display
- Support 30,000 valid cards & 150,000 records
- Support multiple cards(default IC card) (“-D” means ID EM card)
- Support card, password, fingerprint and combination
- TCP/IP to PC
- Support P2P add device
- Wiegand or RS-485 interface to reader
- Door time out alarm, intrusion alarm, duress alarm and tamper alarm
- Anti-passback, multi-card open
- Support 128 efficient time and holiday schedules
- USB import/export configuration or log file;



Technical Specification

Model	ASI1212D	ASI1212D-D
-------	----------	------------

System

Main Processor	32 Bit
----------------	--------

Input/Output Ports

Input	Inputs (Door sensor x 1, Exit button x 1, Alarm input x 1)
-------	--

Output	Output Relay x 3 (Door lockx 1, Bellx 1, Alarm x 1)
--------	---

Card Read

Read Format	13.56MHz	125KHz
-------------	----------	--------

Read Range	1cm–3cm (max.)
------------	----------------

Response Time	<0.1s
---------------	-------

Fingerprint Read

Response Time	≤1.5s
---------------	-------

Capacity

Card holders	30,000
--------------	--------

Events	150,000
--------	---------

Fingerprint	3000
-------------	------

Function

Network	P2P, DHCP
Access control	Anti-passback, Multi-card unlock
User Management	General, VIP, Guest, Patrol, Black list, Duress
Alarm Function	Door time out alarm, Intrusion alarm, Duress alarm, Tamper alarm
Schedule Setting	Support 128 groups of schedule, 128 groups of period and 128 groups of holiday period

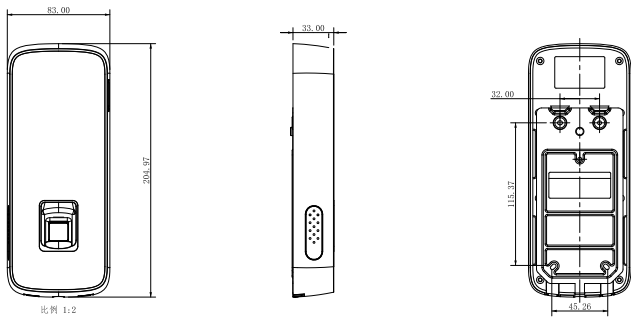
Interface

To PC	RJ45(10/100M)
To Reader	Wiegand26/34, RS485

General

RTC	Yes
Voice Prompt	Yes
Beep Tone	Buzzer
Power Supply	DC 9-15V/400mA
Operating Temperature	-10°C to +55°C
Working Humidity	10%RH–90%RH (no-condensation)
Dimension(W×D×H)	83.0mm×210.0mm×33.0mm
Weight	0.44kg
Working Environment	Indoor

Dimensions(mm)



Application

Small Office
One door controller

